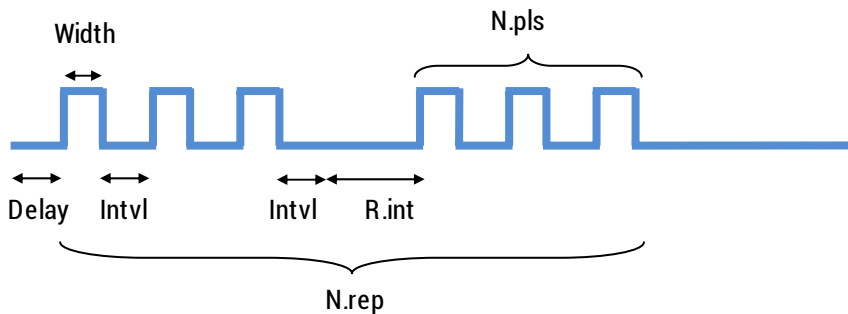


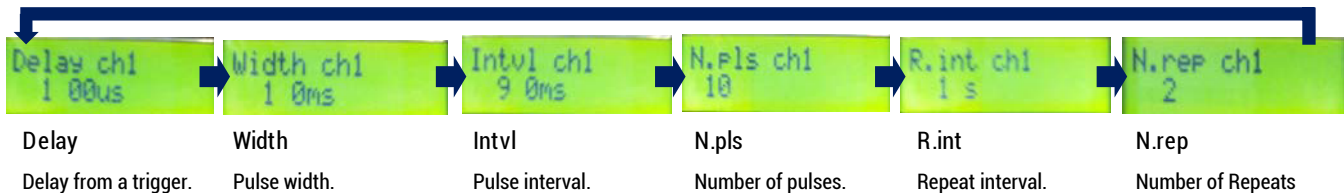
STO mk II

STO mk is a stimulator developed for Optogenetics. Stimulation pattern can be configured flexibly through user-friendly control panel and LCD. STO mk has two output channels which can be controlled independently / synchronously. Ideal for controlling Teleopto and light sources from Doric Lenses.



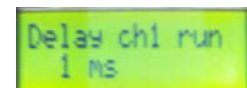
Instruction manual

- Select a channel by pushing "CHANNEL" button.
- Select a parameter you want to change the value by pushing "SELECT" button several times. Value can be changed by "UP" and "DOWN" button (Push longer for faster value change). Scale can be changed by "SCALE" button.



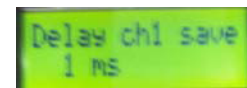
- Push "RUN/STOP" button for triggering the stimulation. You can stop the stimulation by pushing "RUN/STOP" button again.

Running



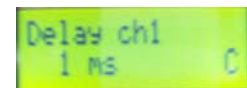
- You can save the parameters by pushing "SAVE" button. Next time when you turn on the device, the saved parameters will be loaded automatically.

Saved



- By pushing "SAVE" button while holding "SELECT" button, it will activate the continuous mode (C). Stimulation will be repeated endlessly until "RUN/STOP" button will be pushed.

Continuous mode



- By sending 5V TTL pulse in "TRG" terminal, it acts like pushing "RUN/STOP" button.
- By pushing "CHANNEL" button while holding "SELECT" button, it will activate the synchronous mode (S). You can trigger both ch1 and ch2 by either trigger.